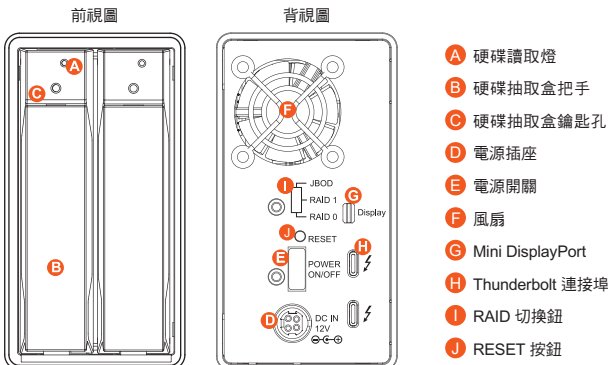


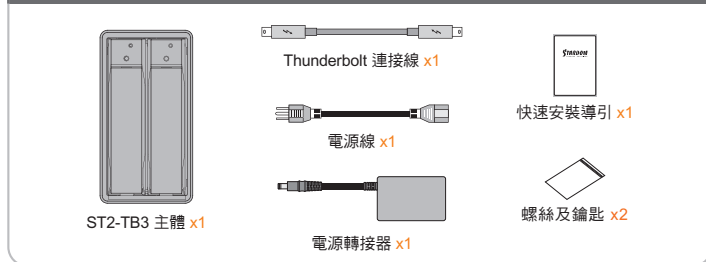
## ST2-TB3 快速安裝導引

### 產品示意圖與配件表



打開包裝外盒後，包裝內容應包含下列組件：

#### 產品配件表



- 請先確認相關配件與產品本身是否有受損或是缺少配件，若有任何疑問，請與您的經銷商或業務人員聯絡。
- 請前往官網 ([www.stardom.com.tw](http://www.stardom.com.tw)) 下載使用者說明書。

V1.0 (Dec. 2017)

1

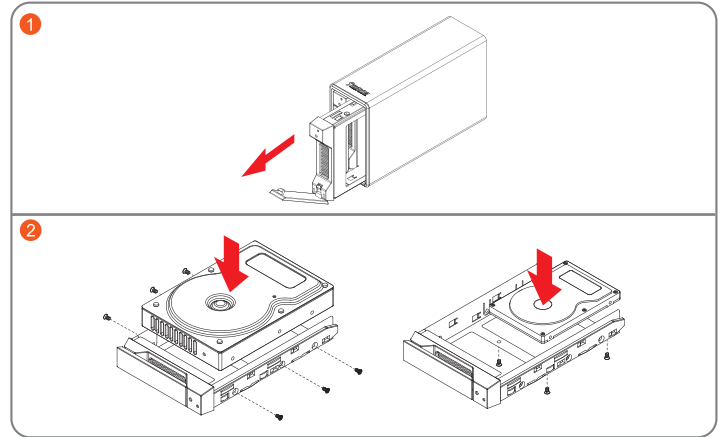
### 燈號說明

狀態	硬碟狀態燈
無硬碟	紅燈恆亮
硬碟故障	紅燈恆亮
硬碟閒置	藍燈恆亮
資料存取	藍燈閃爍
資料重建 - 來源碟	呼吸燈 (藍燈)
資料重建 - 目標碟	呼吸燈 (紫燈)

### 硬體安裝

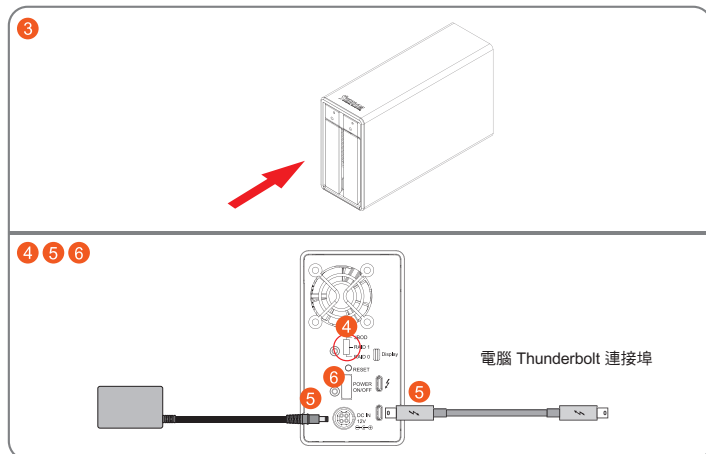
請參照下列步驟，完成 ST2-TB3 的硬體安裝：

1. 請使用零件包內附的鑰匙插入鑰匙孔後，抽取盒門將會輕彈開啟，即可將硬碟抽取盒取出。
2. 將硬碟安裝到抽取盒上，並以零件包內附的螺絲加以固定，以避免不必要的移動對硬碟造成傷害。



2

3. 硬碟安裝完成後，請將抽取盒平移放入主機內，並關上把手。
4. 透過機體背面的 RAID 模式開關，設定所要使用的 RAID 模式 (RAID 0、RAID 1 或 JBOD)。
5. 將相關連接線接上，最後請接上電源轉接器。



6. 硬體安裝完成。開啟電源後請透過作業系統進行後續格式化設定。請依照電腦作業系統指示進行硬碟格式化，完成硬碟格式化後，便可以進行資料的讀寫。

7.
  - a. 如機器啟動後，抽取盒燈號會由「紅燈恆亮 > 熄滅 > 藍燈恆亮」燈號，即為完成機器安裝設定。
  - b. 如機器啟動後，抽取盒燈號如出現「紅燈恆亮 > 熄滅 > 藍紫閃爍」燈號，請使用頂針插入「重置鍵」3秒後鬆開頂針，待燈號由「藍紫閃爍」燈號轉變為「藍燈恆亮」燈號時，即為完成機器安裝設定。
8. 機器安裝設定完成後，即可依需求設定 RAID 模式，請參考「產品使用注意事項/3. 切換 RAID 設定的標準程序」，做 RAID 模式切換設定。

3

### 產品使用注意事項

1. 第一次使用本產品進行設定時，資料會被全數清除。請於硬碟置入前，確認硬碟已備份，避免資料遺失。
2. ST2-TB3 開機下在電腦進入系統待命或是休眠狀態時，會一起進入待命狀態。當電腦恢復正常運作，則 ST2-TB3 也會一併回復到正常使用狀態。
3. 切換 RAID 設定的標準程序：
  - 步驟1：請在 ST2-TB3 連線到電腦後，一併打開電腦和 ST2-TB3 的電源開關。
  - 步驟2：請在藍燈恆亮時，將在 ST2-TB3 背板上設定 RAID 設定的「切換開關」調到你所要的設定位置。
  - 步驟3：請使用頂針插入「重置鍵」，待前面板抽取盒上的閃爍藍紫燈結束、並轉成恆亮藍燈後鬆開頂針。
  - 步驟4：請您再做一次關、開 ST2-TB3 電源的動作後，您已經改變、並重新設定了 ST2-TB3 的 RAID。
4. RAID 模式一旦設定完成，若要進行切換，因切換過程中將會清除硬碟中的資料，請務必先將硬碟中的資料另行備份後再行切換。
5. ST2-TB3 使用 12V/5A 規格 Adapter，請勿使用其他非原廠規格 Adapter 以免損壞機器及資料。
6. 強烈建議除了使用 ST2-TB3 的資料儲存功能外，請針對重要資料備份到另一個儲存裝置上或遠端備份，雙重備份您重要的資料。若您儲存在 ST2-TB3 的資料損毀或遺失，STARDOM 將不負任何的責任。

感謝您使用 銳鏢科技股份有限公司 的產品。

本手冊裡的資訊在出版前雖然已經被詳細確認，但實際產品規格將已出貨時為準；任何的產品規格或相關資訊更新，請您直接上 [www.STARDOM.com.tw](http://www.STARDOM.com.tw) 網站查詢，或直接與您的業務聯絡窗口聯繫，本公司將不另行通知。

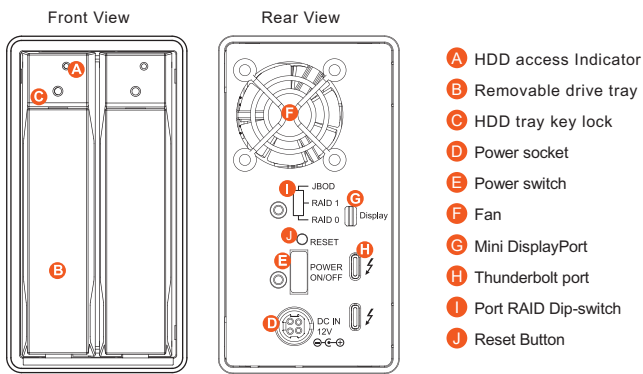
如果您對 銳鏢科技 的產品有任何疑問，或是想獲得最新產品訊息、使用手冊或軟體，請您聯絡 [services@stardom.com.tw](mailto:services@stardom.com.tw)，我們將儘速回覆您。

本說明相關產品內容歸 銳鏢科技股份有限公司 版權所有

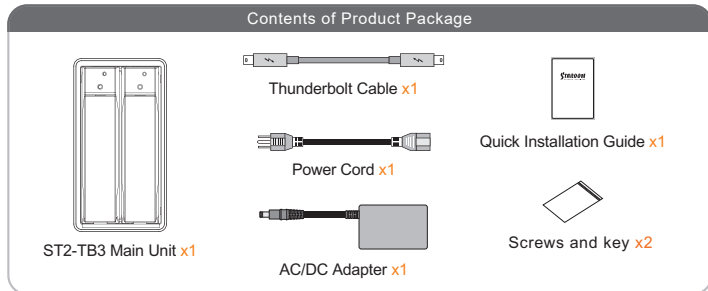
4

## ST2-TB3 Quick Installation Guide

### Product Diagram & the Contents of Product package



After you open the outside box, please make sure the following items/parts are contained in the box :



- Please check the included parts and the product itself for any damage or missing parts. If you have any questions, please contact the retailer or sales representative.
- Please download the user manual from the official website ([www.stardom.com.tw](http://www.stardom.com.tw))

V1.0 (Dec. 2017)

1

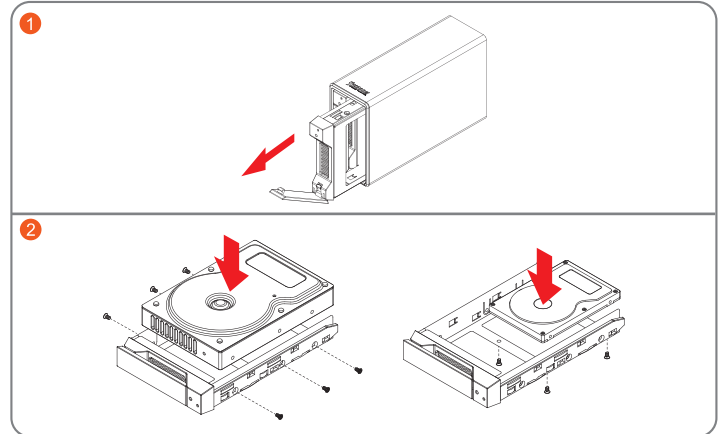
### the Indication of HDD Status

Status	LED Light Status
No HDD	Red light always on
HDD failed	Red light always on
HDD idle	Blue light always on
Data access	Blue light flashing
Rebuilding, Source HDD	Breathing blue light
Rebuilding, Target HDD	Breathing purple light

### Hardware Installation

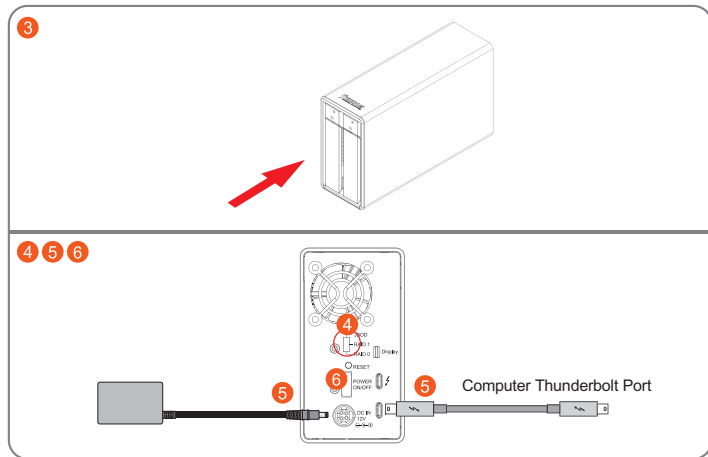
Please follow the following procedure to have your ST2-TB3 installed:

1. Use the provided key in the Accessories Kit and inserted it into the Key Access Opening to eject the Removable Drive Tray Latch and extract the Removable Drive Tray.
2. Mount your hard drives onto the removable drive tray and secure it with the screws included in the accessory kit to avoid any damage to the hard drive due to accidental movements.



2

3. After installing two HDDs into Trays, please insert them into ST2, and then latch the handle.
4. Please switch RAID Dip-switch to JBOD mode at back-plate.
5. Please connect the Thunderbolt Cable, and then connect AC/DC Adapter to the product.
6. Please turn on power.



7.
  - a. After turning on power, the HDD/SSD Indicator will be changed with the following sequence, Red > Off > Blue, and then, ST2-TB3 is ready for use.
  - b. In case if the HDD/SSD Indicator shows Red > Off > Blue Flashing, please use a pin to press the RESET Button for 3 seconds, and wait until the HDD/SSD Indicator is changed to Blue from Blue Flashing, your ST2-TB3 is then ready for use.
8. While your ST2-TB3 is ready for use, please follow the instruction of "3. The Standard Procedure to Switch RAID Setting" in the Important Notice and set the RAID mode to what you want. You could then start using your ST2-TB3 now.

3

### Important Notice

1. Since ST2-TB3 will delete all data files in your two HDDs/SSDs at its first-time use, please be informed that you shall first save all your personal data files into a safe memory space before starting setting your new ST2-TB3 to avoid any data loss during your start-up process.
2. DR2-TB3 will be forced to get into SLEEP mode while your Mac Computer is in either IDLE or SLEEP mode.
3. The Standard Procedure to Switch RAID Setting:
  - Step 1: Please first connect ST2-TB3 to your Mac.
  - Step 2: Please set RAID Dip Switch to the position you choose.
  - Step 3: Please use the Key to press the hidden RESET key at the back-plate, hold and wait for the end of Blue-Purple LED blinking till a stable Blue light.
  - Step 4: Please turn off your ST2-TB3, and re-turn it on again. You now have reset ST2-TB3 with a new RAID mode successfully.
4. A WARNING to you if you plan to delete or switch your original RAID setting : If you plan to delete or switch your original RAID setting, please always duplicate your personal data before deleting or changing it.
5. ST2-TB3 uses a 12V/5V AC/DC Adapter. Please do not use other non-certified Power Adapter to avoid damaging to your ST2-TB3.
5. We strongly recommend you to keep an extra copy at your important personal data other than stored in your ST2-TB3 product. Stardom will not be responsible of your data loss problem.

Thank you for choosing product from **RAIDON Technology Inc.** This information in the manual has been thoroughly checked before publication, but may not conform to the product actually delivered which mean actual product specifications depend on the product shipped to you. Any update in the specifications or product-related information shall not be subject to further notice but for the latest information on the product, please visit the website as [www.STARDOM.com.tw](http://www.STARDOM.com.tw) or contact us at [services@stardom.com.tw](mailto:services@stardom.com.tw), and we will get back to you as soon as possible.

4